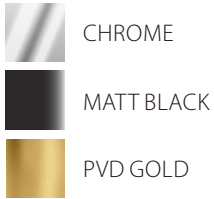
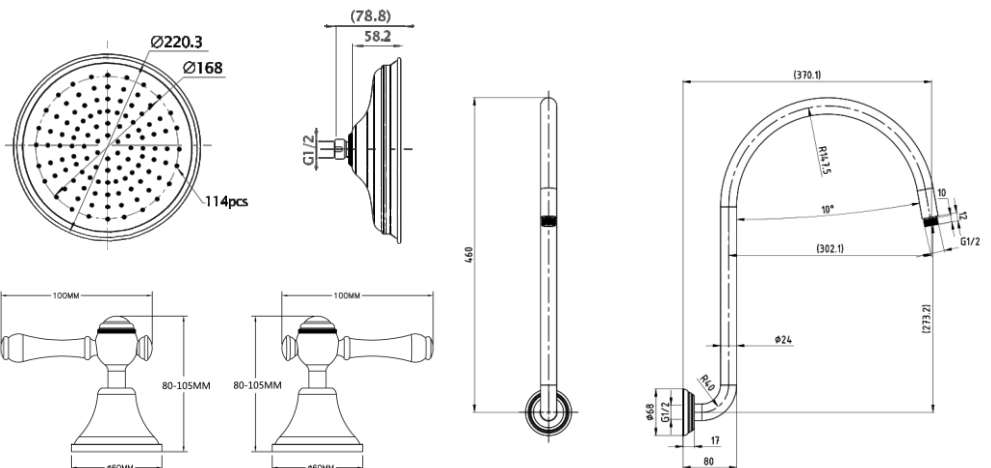




AVAILABLE FINISHES



200MM DIA SHOWER HEAD



CERAMIC HOT AND COLD BUTTONS



AUGUSTINE SHOWER SET

PRODUCT CODE: P2053CP/P2051CP-1

FEATURES:

- / Classic Contemporary style
- / 1/4 turn Ceramic Disc Spindles
- / Gooseneck Shower Arm and 200mm Dia Shower Head
- / Ceramic Hot and Cold Buttons

The Augustine Range is a classic contemporary range from Linkware borne from a proud family heritage, with the Augustine name handed down across many generations. It exemplifies a timeless appeal with an acknowledgement to the past, as well as adding a modern elegance to your home. Quality materials and designs come from the strong family values that belong to Linkware.

Classic contemporary describes a style that blends traditional or classic elements with contemporary or modern design aesthetics. It combines timeless, classical features with more current or up-to-date design elements, creating a balanced and sophisticated look that feels both timeless and current.

WELS: 3 star 9.0 l/m

WARRANTY:

- / 7 years
- / 2 years parts and labour
- / Years 3 - 7 replacement parts only